

MIL-COTS 20A, 40Vdc Active EMC Filters



COTS

The FQB filter modules have been designed to reduce differential and common mode conducted emissions from dc-dc switching converters. In addition, the series contains active suppression circuitry to block input voltage surges and transients. The FQB takes advantage of TDK technologies to simplify system level compliance to MIL-STD-461, MIL-STD-1275, RTCA/DO-160 and MIL-STD-704 per MIL-HDBK-704-8. The encapsulated rugged package design and a choice of baseplate options make the modules suitable for use in a wide variety of harsh and demanding environments, including MIL-COTS.

Features	Benefits
• Filtering for Compliance to MIL-STD-461(F,G)	• Simplifies the system EMC filter
• Input Spike and Surge Suppression per MIL-STD-1275(D,E), MIL-STD-704(A-F) and RTCA/DO-160G (Sec 16-18)	• Suitable for vehicle and airborne use
• High Differential and Common Mode Noise Attenuation	• Reduces system EMI
• -55 to 115°C Temperature Range (M-Grade)	• For operation in harsh environments
• Standard (S-Grade) or Enhanced Screening (M-Grade) Options	• Reduces cost for COTS applications
• Quarter Brick Size	• Industry standard mounting and heatsinks

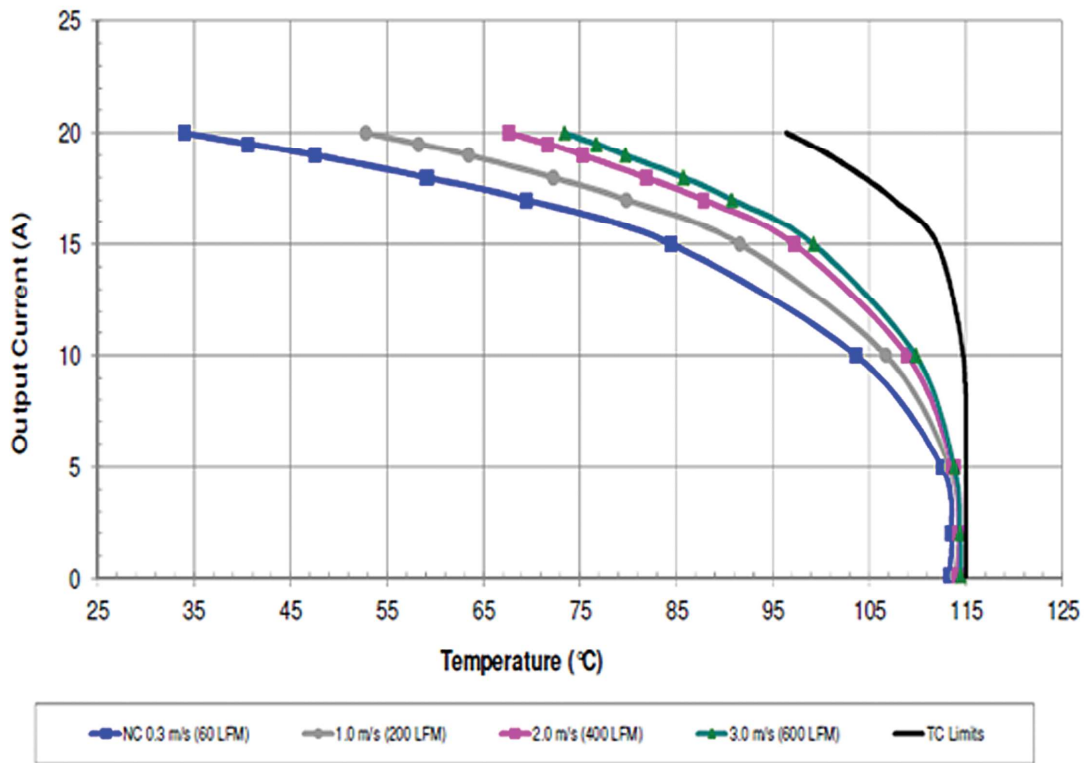
Model Selector						
Model	Operating Input Voltage (Vdc)	Maximum Current (A)	Flanged Baseplate	Non-Flanged Baseplate	Standard Screening (-S)	Enhanced Screening (-M)
FQB020ADC-007-S	8.5 to +40	20	X		X	
FQB020ADC-N07-S	8.5 to +40	20		X	X	
FQB020ADC-007-M	8.5 to +40	20	X			X
FQB020ADC-N07-M	8.5 to +40	20		X		X

Screening Options		
Operation	S-Grade (Standard Screening)	M-Grade (Enhanced Screening)
Functional Test	Room and Hot Test	Cold, Room, and Hot Test
Burn in	Yes	Extended, 96 hour
Temperature Cycling	No	10 Cycles
Hi-Pot	2250VDC	2250VDC
Visual Inspection	Yes	Yes

Specifications			
Model		FQB	
Input/Output			
Input Voltage range	Vdc	Continuous: -40 to +40V. Transient: -50 to +210V (t < 1s. Varies with load, refer to input surge voltage suppression row).	
Input Voltage Spike Suppression (Vin 28V, 280W)	V	Typically 5V deviation for a ±250V, 100µs, 15mJ surge per MIL-STD-1275E Typically 5V deviation for a ±600V, 10µs, 50Ω source impedance per RTCA/DO-160G	
Input Voltage Surge Suppression (Vin 28V)	V	47V maximum output with a 60V, 550ms surge per MIL-HDBK-704-8 (Po = 280W) 47V maximum output with an 80V, 80ms surge per MIL-HDBK-704-8 (Po = 280W) 47V maximum output with an 100V, 50ms surge per MIL-STD-1275(D,E) (Po = 280W) 47V maximum output with an 174V, 350ms surge per DEF-STAN 61-5 Part 6, (Po < 75W)"	
Turn On/Off Voltage (Typical)	Vdc	Turn on: 8.5V, turn off: 8.3V	
Input Under & Over Voltage Protection	-	Module shuts down if an input or over voltage condition occurs. Auto recovery.	
Reverse Polarity Protection	-	Internal series MOSFET is held in an off state to avoid reverse current flow	
Input Current (Maximum)	A	20A	
Overcurrent Protection	-	Limits the output current, with timed shutdown to allow module to cool. Auto restart.	
No Load Input Current (Typical at 28V Input)	mA	3mA. 1.5mA if module is turned off using the remote on/off.	
DC Resistance (Typical)	mΩ	Positive leg: 25mΩ, negative leg: 5mΩ	
Power Loss	W	Typically 12.5W at 20A	
Remote On/Off	-	Module is ON when Pin 2 is left open; off when Pin 2 is connected to Pin 3 (-Vin)	
DC Good / Fault Signal	-	Open collector signal, low = Good	
Output Capacitance	µF	3,000µF maximum. Contact factory for higher values.	
Differential Mode Attenuation at 300kHz	dB	50dB (typical with a 50Ω source & load impedance)	
Common Mode Attenuation at 1MHz	dB	30dB (typical with a 50Ω source & load impedance)	
Qualification Methods	-	Consistent with MIL-STD-883F and MIL-STD-202G	
Compliance Testing (2)	(Tested to the most stringent listed)		
	Radiated Emissions	RE101	Navy
		RE102	10kHz to 18GHz Fixed Wing internal, >25m Nose to Tail
	Conducted Emissions	CE101	Surface ships and submarines
		CE102	Basic Curve
	Conducted Susceptibility	CS101	Curve 2, Imax=10A
		CS114	Curve 5
		CS115	Basic Test Signal
CS116		10kHz to 100MHz	
Safety Agency Certifications	-	UL/CSA/IEC60950-1, CE Mark (LVD and RoHS)	
Environmental			
Operating Baseplate Temperature (max) ⁽¹⁾	°C	Standard screening (-S): -40°C to +115°C, Enhanced screening (-M): -55°C to +115°C	
Storage Temperature	°C	-65 to 125°C	
Operating Humidity (non condensing)	%RH	MIL-STD 883 Method 1004.7	
Cooling	-	Conduction, convection or forced air	
Withstand Voltage (For 1 minute)	VAC	Terminals to Case: 2250Vdc	
Vibration	-	MIL-STD-202G, Method 201A, Unpowered, sweep 1: 5 to 50 Hz at 0.5g, sweep 2: 50 to 500 Hz at 1.5g, three axis	
Shock	-	MIL-STD-202G, Method 213B, Table 213-1, Test Condition I, Unpowered, 50G half sine 6ms, three axis	
Other			
Weight (Typ)	g	100g (Flanged version)	
Size (LxWxH)	mm	Flanged version: 60.6 x 55.9 x 12.7, Non-flanged version: 60.6 x 39 x 12.7	
Size (LxWxH)	Inches	Flanged version: 2.39 x 2.2 x 0.5", Non-flanged version: 2.39 x 1.54 x 0.5"	
MTBF - Telcordia SR-332 issue 3	Hours	50°C ambient, full load: 11,000,000 hours	
Warranty	Years	3	

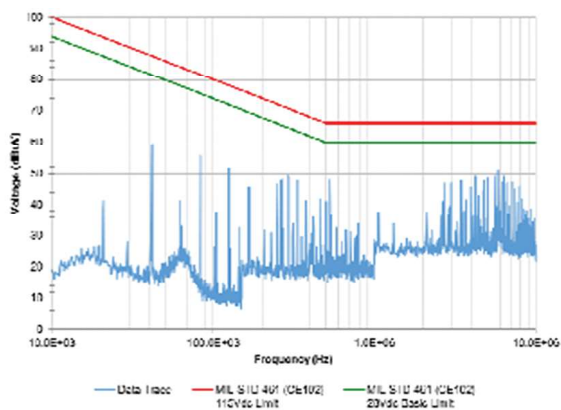
Notes
 See website for detailed specifications, test methods and installation manual
 1. See thermal performance section
 2. Tested using TDK-Lambda evaluation kit containing FQB020ADC-007-S transient filter, combined with HQA2W120W280V-007-S and HQA2W120W050V-007-S power modules and a 200W resistive load.

Thermal Performance

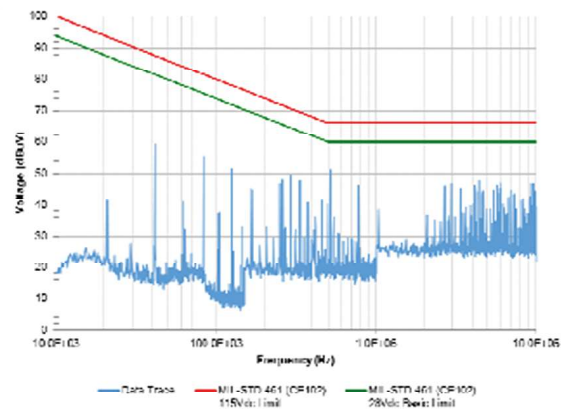


Maximum output current vs. ambient temperature at nominal input voltage for natural convection (60 LFM) to 400 LFM with airflow from pin 1 to pin 3.

Attenuation Characteristics



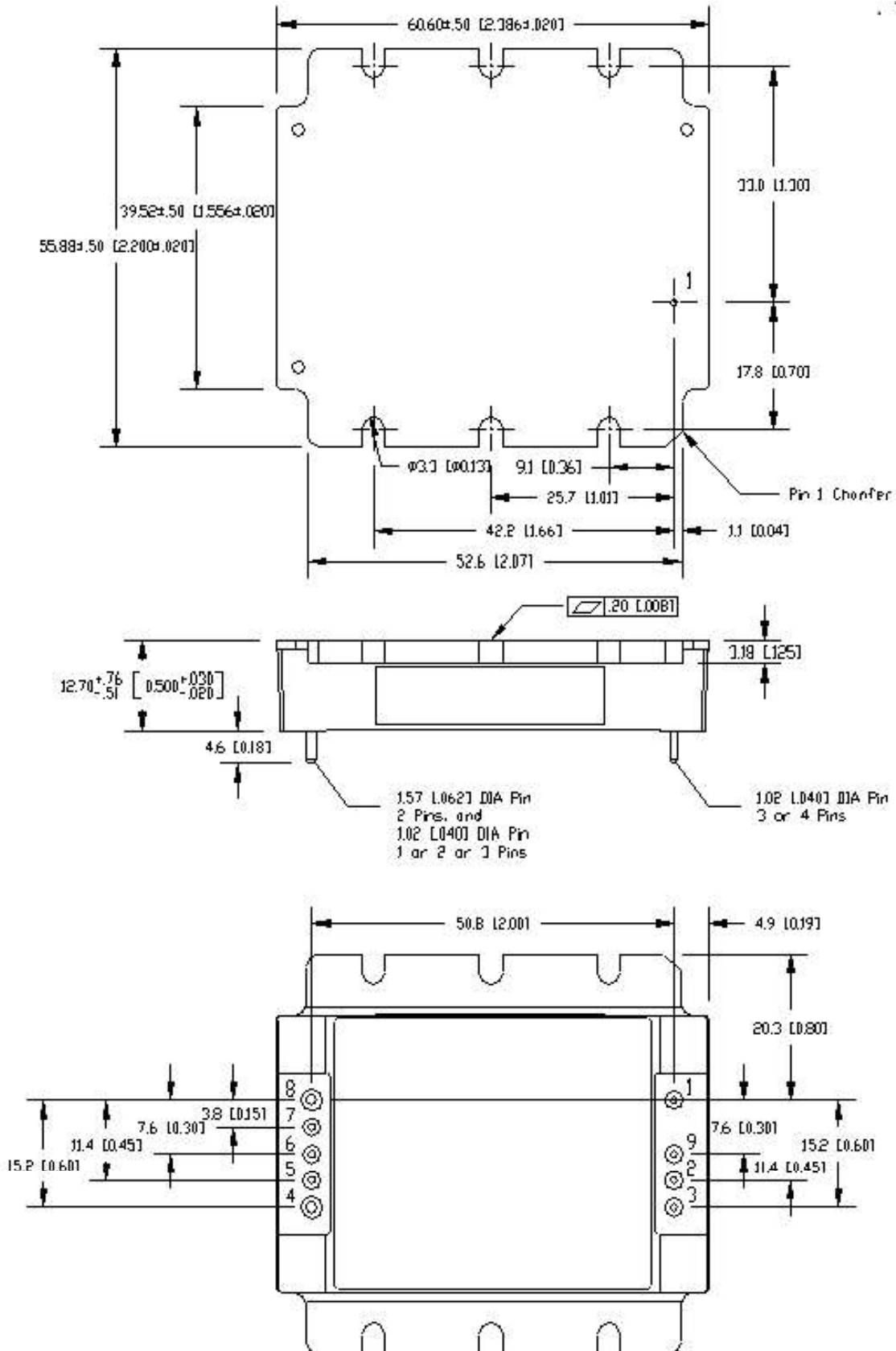
HQA2W120W480V-007-S typical conducted emissions with FQB filter module and 0.01uF common mode capacitors.



HQA2W120W280V-007-S typical conducted emissions with FQB filter module and 0.01uF common mode capacitors.

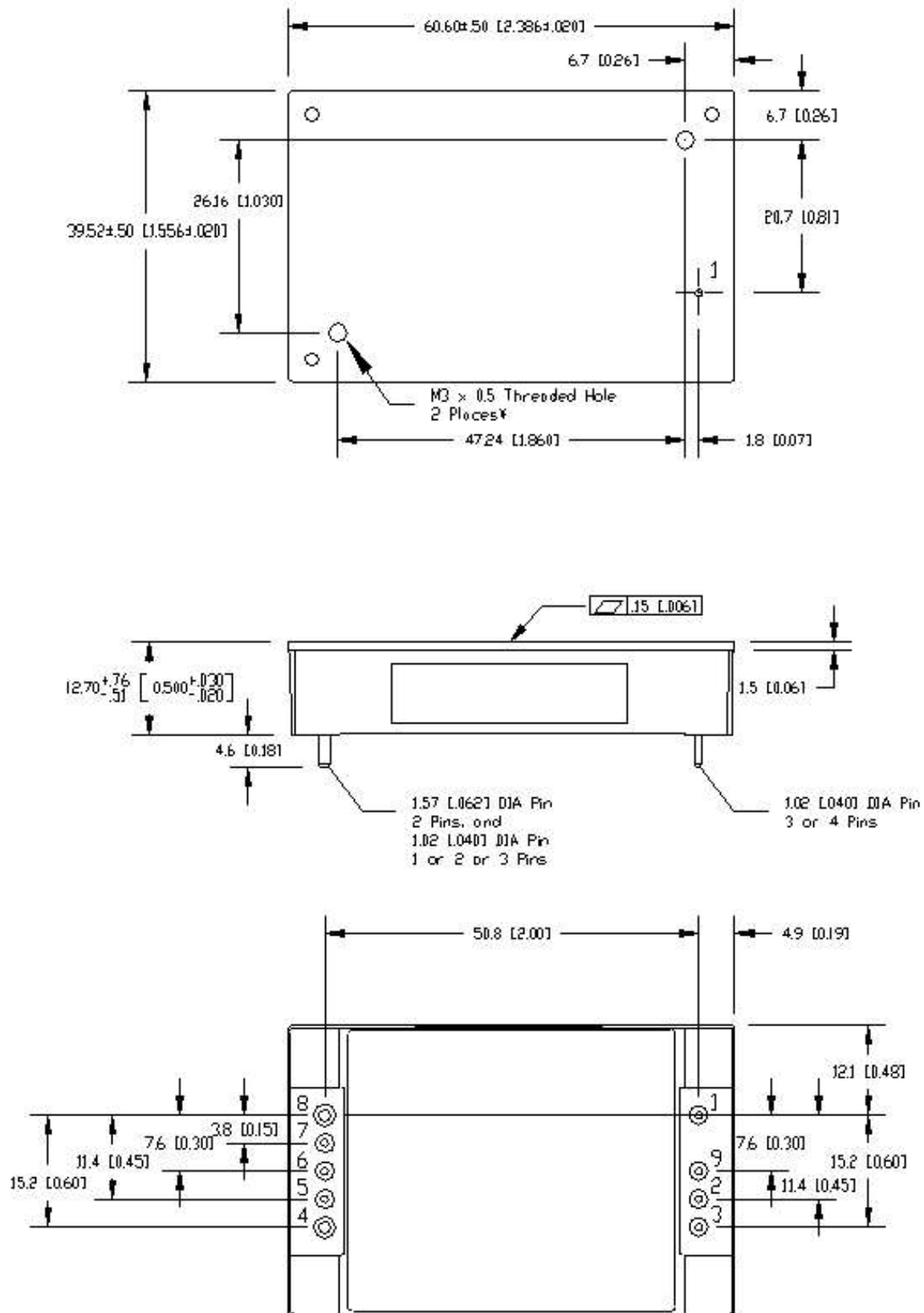
Outline Drawing

007 option (flange baseplate)



Outline Drawing

N07 option (non flange baseplate)



Pinout	
PIN	Function
1	VIN (+)
2	ON / OFF
3	VIN (-)
4	VOUT (-)
5	No connection
6	Common mode out*
7	DC Good / Fault
8	VOUT (+)
9	COM (IN)*

* In a typical application pin 6 would be connected to the Vout-/ground plane and pin 9 to chassis/ground for EMI measurement

Evaluation Board	
Evaluation Board Part #	Content
FQX-HQX-EVK-D0	Evaluation PCB that can accommodate FQA or FQB filters plus two (2) HQA DC-DC Quarter Brick Modules. Filters and DC-DC bricks are not included.



TDK-Lambda France SAS

Tel: +33 1 60 12 71 65
france@fr.tdk-lambda.com
www.emea.lambda.tdk.com/fr/



Italy Sales Office

Tel: +39 02 61 29 38 63
info.italia@it.tdk-lambda.com
www.emea.lambda.tdk.com/it/



Netherlands

info@nl.tdk-lambda.com
www.emea.lambda.tdk.com/nl/



TDK-Lambda Germany GmbH

Tel: +49 7841 666 0
info.germany@de.tdk-lambda.com
www.emea.lambda.tdk.com/de/



Austria Sales Office

Tel: +43 2256 655 84
info@at.tdk-lambda.com
www.emea.lambda.tdk.com/at/



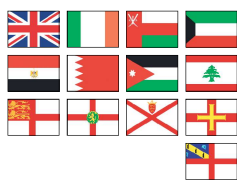
Switzerland Sales Office

Tel: +41 44 850 53 53
info@ch.tdk-lambda.com
www.emea.lambda.tdk.com/ch/



TDK-Lambda Nordic

Tel: +45 8853 8086
www.emea.lambda.tdk.com/dk/



TDK-Lambda UK Ltd.

Tel: +44 (0) 12 71 85 66 66
powersolutions@uk.tdk-lambda.com
www.emea.lambda.tdk.com/uk/



TDK-Lambda Ltd.

Tel: +9 723 902 4333
info@tdk-lambda.co.il
www.emea.lambda.tdk.com/il/



C.I.S.

Commercial Support:

Tel: +7 (495) 505 5674

Technical Support:

Tel: +7 (812) 658 0463

info@tdk-lambda.ru

www.emea.lambda.tdk.com/ru/



TDK-Lambda Americas

Tel: +1 800-LAMBDA-4 or 1-800-526-2324
powersolutions@us.tdk-lambda.com
www.us.lambda.tdk.com



TDK Electronics do Brasil Ltda

Tel: +55 11 3289-9599
sales.br@tdk-electronics.tdk.com
www.tdk-electronics.tdk.com/en



TDK-Lambda Corporation

Tel: +81-3-6778-1113
www.jp.lambda.tdk.com



Wuxi TDK-Lambda Electronics Co. Ltd.

Tel: +86 21 6485-0777
powersolutions@cn.tdk-lambda.com
www.lambda.tdk.com.cn



TDK-Lambda Singapore Pte Ltd.

Tel: +65 6251 7211
tfs.mkt@sg.tdk-lambda.com
www.sg.lambda.tdk.com



TDK India Private Limited, Power Supply Division

Tel: +91 80 4039-0660
mathew.philip@in.tdk-lambda.com
www.sg.lambda.tdk.com

